



SAUDI PIPE SYSTEMS CO.

BUTTERFLY VALVE BUF - 108 SH

Double Flange Type Valve lined
with EDPM rubber, Short type ,
For water and sewage.

Design according to ISO 5752 , BS 5155



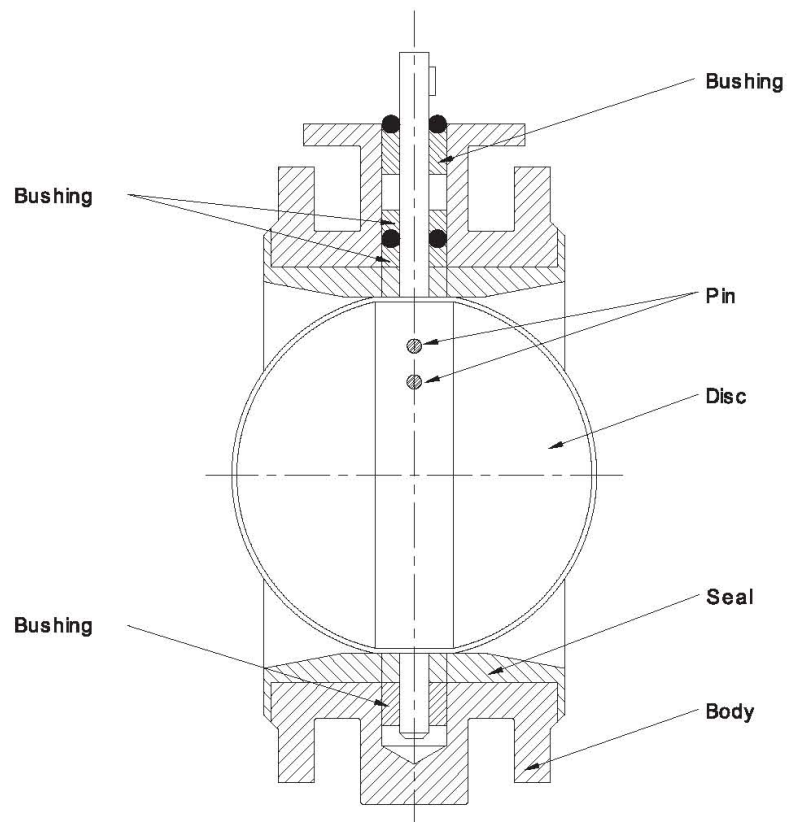
Application:	For water and Sewage
Working Pressure:	Up to 16 Bar
Working Temperature:	Up to 100°
Face to Face:	ISO 5752 series
Flange:	ISO 2531 ,ANSI B 16.1 ,JIS 5K ,10K, 16K
Operation:	Gear Operated -Electric Actuator
Design:	BS 5155
Coating	Epoxy Power Coating (200 - 300) microns
Lining	EPDM Vulcanized to the body

Primary Service Pressure Non Shock (PSI)	Hydrostatic Test Pressure (PSI)	
	Shell	Seat
PN	PN x 1.5	PN x 1.1

Design Mechanical Data, Dimension, Materials and weight are subject to change without notice



BUTTERFLY VALVE BUF - 108 SH



Material List :

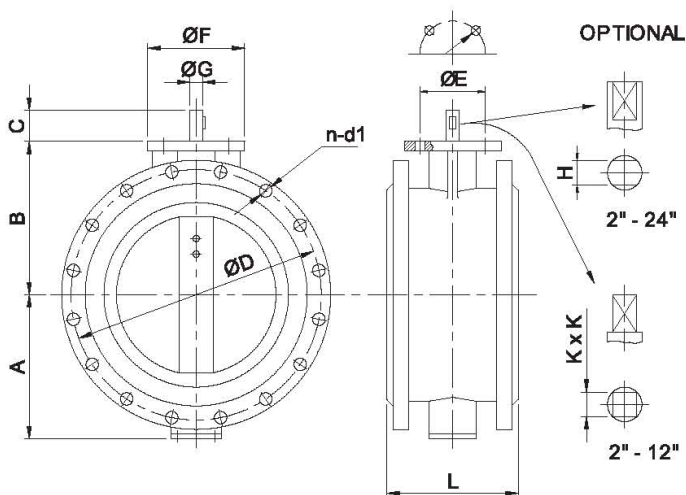
BODY	Ductile iron GGG50 to DIN EN 1563
DISC	D.I. GGG50 / SS 304 / AL.BR. ALLOY
SEALING	EPDM / NBR / VITON
STEM	SS 304
PIN	SS 304
BUSHING	PTFE / Bronze / Brass

Design Mechanical Data, Dimension , Materials and weight are subject to change without notice



SAUDI PIPE SYSTEMS CO.

BUTTERFLY VALVE BUF - 108 SH



Size		A	B	C	ØD						ØE	ØF	ØG	n-d1						n-d2	L	H	K
mm	Inch				ANSI B16.1	PN10	PN16	5K	10K	16K				ANSI B16.1	PN10	PN16	5K	10K	16K				
50	2"	65	120	32	120.65	125	125	105	120	120	70	90	12.7	4-17.46	4-18	4-18	4-15	4-19	8-19	4-9.5	108	10	10
65	2.5"	70	126	32	139.7	145	145	130	140	140	70	90	12.7	4-17.46	4-18	4-18	4-15	4-19	8-19	4-9.5	112	10	10
80	3"	80	133	32	152.4	160	160	145	150	160	70	90	12.7	4-17.46	4-18	8-18	4-19	8-19	8-23	4-9.5	114	10	10
100	4"	100	148	32	190.5	180	180	165	175	185	70	90	15.9	8-17.46	8-18	8-18	8-19	8-19	8-23	4-9.5	127	12	12
125	5"	110	160	32	215.9	210	210	200	210	225	70	90	19	8-20.64	8-18	8-18	8-19	8-23	8-25	4-9.5	140	14	16
150	6"	135	180	32	241.3	240	240	230	240	260	70	90	19	8-20.64	8-22	8-22	8-19	8-23	12-25	4-9.5	140	14	16
200	8"	160	205	45	298.45	295	295	280	290	305	102	125	22.2	8-20.64	8-22	12-22	8-23	12-23	12-25	4-11.5	152	17	16
250	10"	196	246	45	361.95	350	355	345	355	380	102	125	28.6	12-23.81	12-22	12-26	12-23	12-25	12-27	4-11.5	185	22	24
300	12"	220	270	45	431.8	400	410	390	400	430	102	125	31.7	12-23.81	12-22	12-26	12-23	16-25	16-27	4-11.5	178	24	24
350	14"	256	316	45	476.25	480	470	435	445	480	102	125	31.7	12-26.98	16-22	16-26	12-25	16-25	16-33	4-11.5	190	24	-
400	16"	308	365	51	539.75	515	525	495	510	540	165	210	33.34	16-26.98	16-26	16-30	16-25	16-27	16-33	4-22.2	216	27	-
450	18"	335	390	51	577.85	565	585	555	565	605	165	210	38	16-31.75	20-26	20-30	16-25	20-27	20-33	4-22.2	222	27	-
500	20"	360	415	64	635	620	650	605	620	660	165	210	41.15	20-31.75	20-26	20-33	20-25	20-27	20-33	4-22.2	229	32	-
600	24"	426	510	70	749.3	725	770	660	730	770	165	210	50.85	20-34.92	20-30	20-36	20-27	24-33	24-39	4-22.2	267	36	-
700	28"	480	560	72	-	840	840	770	840	-	254	300	55	-	24-30	24-36	24-27	24-33	-	8-18	292	-	-
750	30"	520	585	72	914.5	-	-	-	900	-	254	300	55	26-35	-	-	24-33	24-33	-	4-22.2	318	-	-
800	32"	525	610	72	-	950	950	-	950	-	254	300	55	-	24-33	24-39	24-33	28-33	-	8-18	318	-	-

Design Mechanical Data, Dimension, Materials and weight are subject to change without notice