

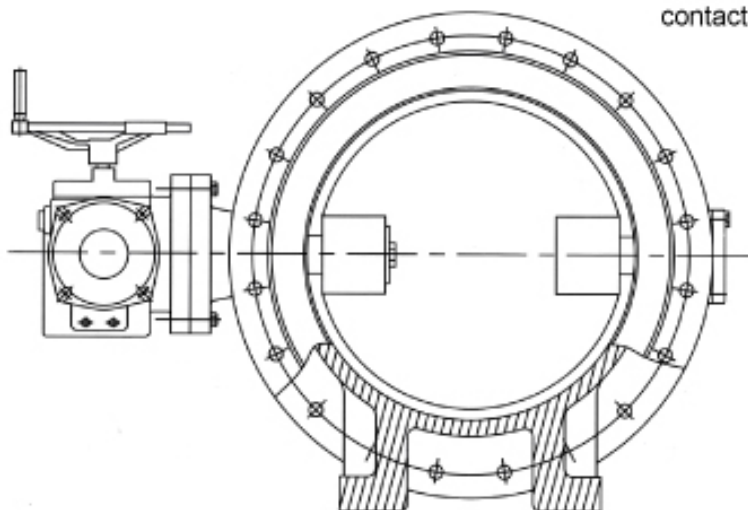


# SAUDI PIPE SYSTEMS CO.

## BUTTERFLY VALVE BUF - 108



- Stainless Steel Seat
- Body Inside and outside & Disc Epoxy Coated. (200 - 300) microns
- One piece profile sealing resilient seat.
- Replaceable Sealing EPDM Rubber.
- For water and sewer application.
- Double Eccentric Type.
- Face to Face Acc. to DIN 3202 F4
- Worm gear Operated.
- Working Pressure 10, 16 & 25 Bars
- For Working Pressure PN40, please contact us.



### OPTIONAL :

- Electric Actuator.
- Pneumatic Actuator.
- Stainless Steel Disc.

*Design Mechanical Data, Dimension, Materials and weight are subject to change without notice*

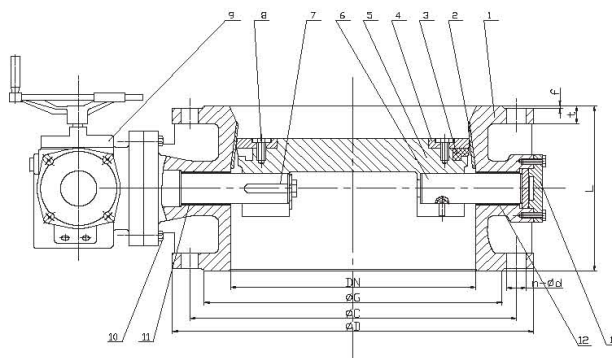


# SAUDI PIPE SYSTEMS CO.

## BUTTERFLY VALVE BUF - 108

### MATERIAL LIST

NO	COMPONENT	MATERIAL
1.	Body	Ductile Iron GGG50 to DIN EN 1563
2.	Seat of body	Stainless steel 304 / 316
3.	Disc seat ring	EPDM
4.	Disc seat ring cover	Ductile iron GGG50 / SS 304
5.	Disc	Ductile iron GGG50 to DIN EN 1563
6.	Down shaft	Stainless steel X20Cr13-1.4021 / SS 304
7.	Up shaft	Stainless steel X20Cr13-1.4021 / SS 304
8.	Bolt	Stainless steel X5CrNi189-1.4301 / SS 304
9.	Gear Box	
10.	Bolt	Stainless steel X5CrNi189-1.4301 / SS 304
11.	Up shaft bearing	Bronze
12.	Down shaft bearing	Bronze
13.	Shaft end cover	Ductile iron GGG50



### DIMENSIONS

DN	L	D	C	G	n-d	t	f
100	190	220	180	158	8-19	19	3
150	200	285	240	212	8-23	19	3
200	230	340	295	268	8-23	20	3
250	250	405	355	320	12-23	22	3
300	270	460	410	378	12-28	24.5	4
350	290	520	470	438	16-28	26.5	4
400	310	580	525	490	16-31	28	4
450	330	640	585	550	20-31	30	4
500	350	715	650	610	20-34	31.5	4
600	390	840	770	725	20-37	36	5
700	430	910	840	793	24-37	39.5	5
800	470	1025	950	900	24-40	43	5
900	510	1125	1050	1000	28-40	46.5	5
1000	550	1255	1170	1116	28-43	50	5
1100	590	1340	1270		32-44	54	5
1200	630	1480	1390	1335	32-49	57	5
1400	710	1685	1590	1530	36-49	60	5
1500	750	1820	1710	1640	36-57	62.5	5
1600	790	1930	1820	1750	40-57	65	5
1800	790	2130	2020	1950	44-57	70	5
2000	950	2345	2230	2150	48-62	75	5

*Design Mechanical Data, Dimension, Materials and weight are subject to change without notice*