



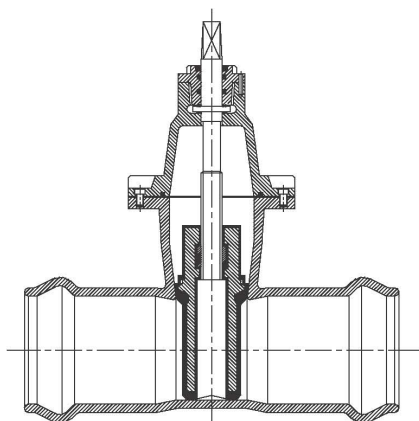
SAUDI PIPE SYSTEMS CO.

GATE VALVE GAS-107

Socket End, Resilient wedge gate valve
full bore , Inside screw bolted, bonnet,
Fully removable parts,
Free maintenance 100% water tight
Non Rising Stem



Design according to DIN 3202 part 1 series
F16 and ISO 5752-1993 basic or BS 3952
for UPVC pipe according to
SAS 14 - 15 /1396 H DIN 8062



Ductile Iron : GGG 50 to DIN EN 1563

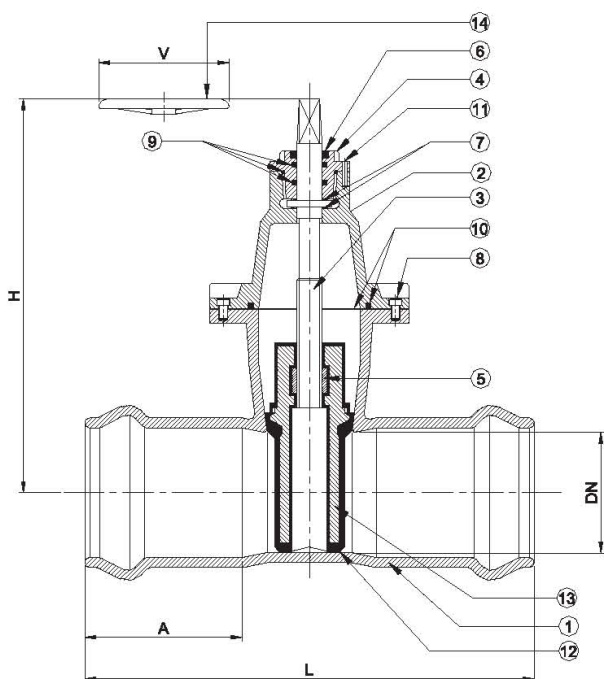
Application	For water, sewage and neutral liquids to max 80°C
Working Pressure	16 Bars
Working Temperature	80° C (up to + 110° on request)
Sealing Pressure	16 Bars, according to DIN 3352 part 4, the rubber coating of wedge works always on compression
Sealing on Stem	double packing, replaceable with the valve under pressure and in the fully open position, NBR wiper ring for dust protection above the stem
Operation	By Handwheel, extension spindle, stem cap
Closing	Clockwise closing (counter clockwise on request)
Wedge	Auto-guided in body, with guide ribs in the wedge, with draining hole to avoid retention of water
Socket	Fitted with SBR, NBR, EPDM rubber sealing ring to suit metric UPVC and PE pipes
Coating	Epoxy powder inside and outside, 200-300 microns for potable water

Design Mechanical Data, Dimension , Materials and weight are subject to change without notice



SAUDI PIPE SYSTEMS CO.

GATE VALVE GAS-107



COMPONENTS LIST :

1	BODY	Ductile Iron GGG50
2	COVER	Ductile Iron GGG50
3	STEM (SPINDLE)	St. steel 1.40.21 / SS 304
4	LOCKING NUT	Ductile Iron or Brass Ms58/Bronze
5	STEM NUT	Bronze C6880
6	PROTECTING RING	Neopren or EPDM
7	SLIDE RING	Hostaform
8	CYLINDER SCREW	St. steel
9	O-RING	Perbunan or EPDM
10	O-RING / GASKET	Perbunan or EPDM
11	CYLINDER PIN	St. steel
12	RESILIENT WEDGE	Vulcanized with NBR or EPDM
13	WEDGE	Ductile Iron GGG50
14	HANDWHEEL	Steel / Ductile Iron GGG50

Dimension in mm

SIZE MARK	50	65	80	100	125	150	200	200
L	256	298	315	340	375	410	500	500
PIPE DIA. mm	63	75	90	110	125	160	200	225
A	88	93	100	106	117	135	174	174
H	225	260	280	320	375	425	540	540
F	14	17	17	19	19	19	24	24
E	48	55	63	74	82	103	124	138
V	200	250	250	300	300	300	350	350

Design Mechanical Data, Dimension, Materials and weight are subject to change without notice

Main Office : Jeddah - Industrial Zone Phase - 4, P. O. Box : 34572, Jeddah: 21478 - Saudi Arabia,
Tel +966-2-6370999 / 6081100 Fax +966-2-6365925 / 6379439 E-Mail : spsvalve@sps.net.sa, Web site : www.saudivalve.com